



TAYLOR®

Item No. _____

C116

Batch Ice Cream Freezer



Features

Serve homemade, low and medium overrun gourmet ice cream, custard, gelato, sorbet, Italian ice and slush. Mix and liquid flavorings may be poured into the convenient fill chute on the door. Fruits, candies and nuts can be folded in as product is being drawn into your container. Manufactured in Italy by Frigomat to ensure European equipment quality and technology to serve gelato or low to medium overrun super-premium ice cream.

Freezing Cylinder

One, 28 quart (26.5 liter).

Totally Automatic

Equipment is designed with quality features for the inexperienced operator. Microprocessor monitors the refrigeration, mechanical and electrical systems, which allows totally automatic operation to produce the best possible consistency, batch after batch.

Semi-Automatic Setting

For the experienced ice cream maker, a semiautomatic setting may be selected to allow the operator to personalize the product according to a specific recipe. This setting is recommended for fruit sorbet.

Electronic Consistency Control

Automatically senses product viscosity to control the refrigeration system for perfect ice cream quality, batch after batch. Operator may override automatic controls at the touch of a button.

Variable Batch Size

Control automatically manages the freezing cycle in relation to the pre-charge of mix within a wide range of values.

Two-Speed Beater

Quickly ejects ice cream when the batch is finished, leaving very little residue in the freezing cylinder.

Rinse Faucet

Retractable hose allows spray nozzle to fit right into the front panel, conveniently located next to the dispensing door.



Standard 6



SA2650

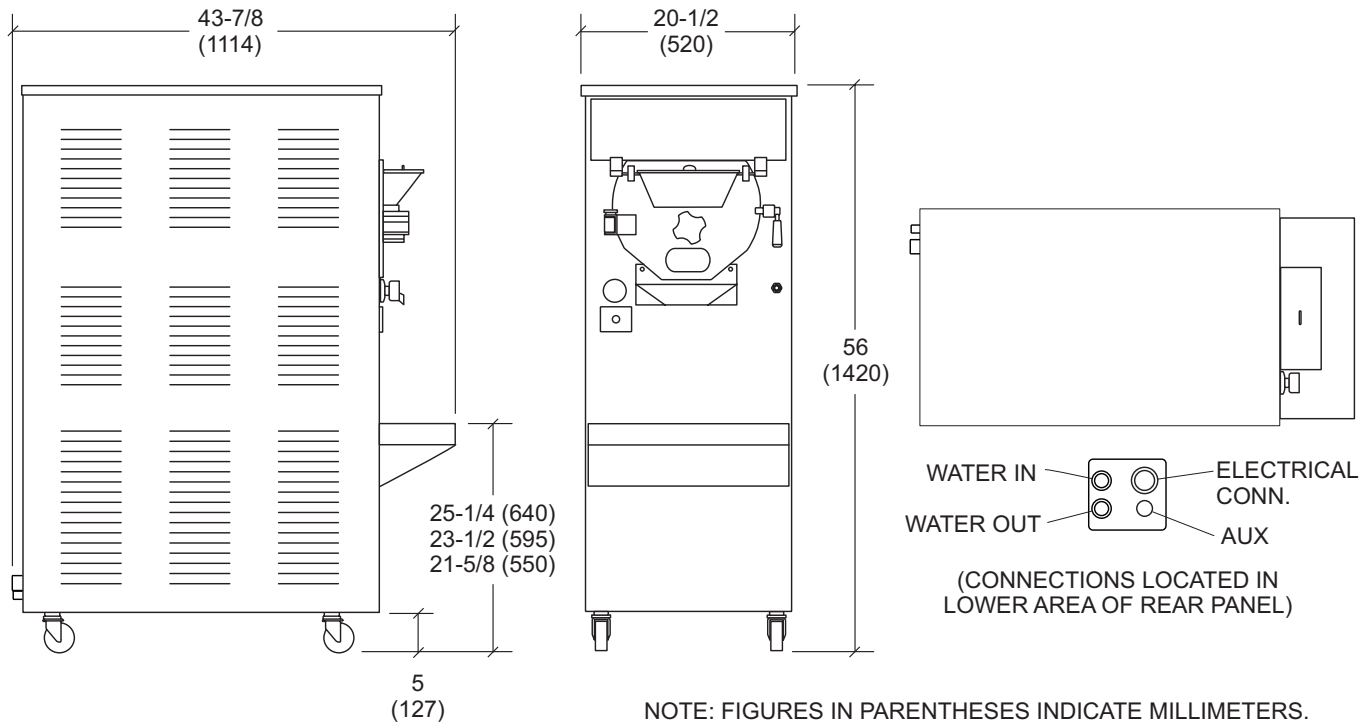


Selected 50 Hz. Models

Rockton, Illinois 61072
800-255-0626
Phone 815-624-8333 Fax 815-624-8000
www.taylor-company.com
e-mail: info@taylor-company.com

International Office
Taylor Company S.r.l.
Roma, Italy
Tel: **+39-06-420-12002** Fax: +39-06-420-12034
e-mail: romeoff@taylor-company.com

C116 Batch Ice Cream Freezer



Weights	lbs.	kgs.
Net	783	355
Crated	935	424
	cu. ft.	cu. m.
Volume	28.3	0.8

Dimensions	in.	mm.
Width	20-1/2	520
Depth	42-3/4	1085
Height	56	1420
Floor Clearance	5	127

*Mounted on standard casters

Electrical	Maximum Fuse Size	Minimum Circuit Ampacity	Poles (P) Wires (W)
208-230/60/3 Water	60	50	3P 4W

This unit may be manufactured in other electrical and cooling characteristics. Refer to the local Taylor Distributor for availability. (For exact electrical information, always refer to the data label of the unit.)

Bidding Specs

Electrical: Volt _____ Hz _____ ph _____

Neutral: Yes No **Cooling:** Air Water NA

Options: _____

Specifications

Electrical

One dedicated electrical connection is required. See the Electrical chart for the proper electrical requirements. Manufactured to be permanently connected. Consult your local Taylor distributor for cord & receptacle specifications as local codes allow.

Beater Motor

One, two speed beater motor. 5.7 HP at low speed, 10 HP at high speed. .

Refrigeration System

One, approximately 38,000 BTU/hr. R404A. (BTUs may vary depending on compressor used.)

Water Cooled

Water inlet and drain connections on back panel 1/2" MPT.

Options

- Two flight beater for lower overrun

Continuing research results in steady improvements; therefore, these specifications are subject to change without notice.



Taylor Company,
A Division of Carrier Commercial Refrigeration, Inc.
Rockton, Illinois 61072
815-624-8333 **800-255-0626** Fax 815-624-8000
www.taylor-company.com

Printed in U.S.A.

058461-ADV 12/04