

Utility Tables

72" VF-3 Work Table comes mounted on sturdy 5" legs, with recessed area for undercounter freezer (freezer not included)



72" Utility Table comes mounted on sturdy 5" legs



48" Utility Table includes UHMW polyethylene cutting board surface and 4 swivel casters, 2 with locking features

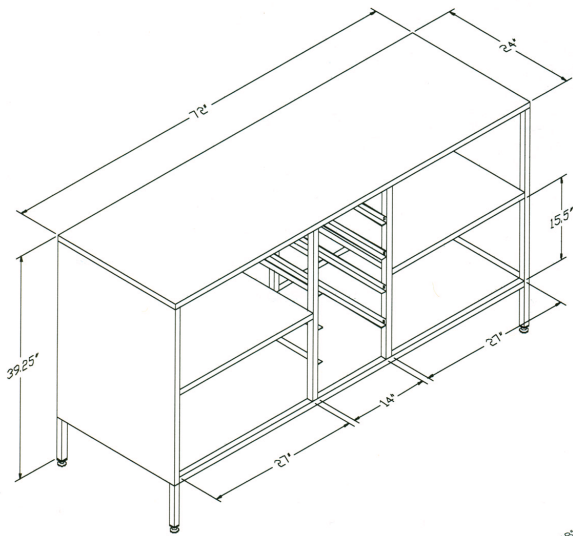
- Designed to fit perfectly into any kitchen, the Broaster utility table is available in both 48" and 72" widths.
- Efficient storage area can also hold 4 standard 12" x 20" pans (not included).
- Durable stainless steel construction allows for a sturdy work surface.

The Broaster Company

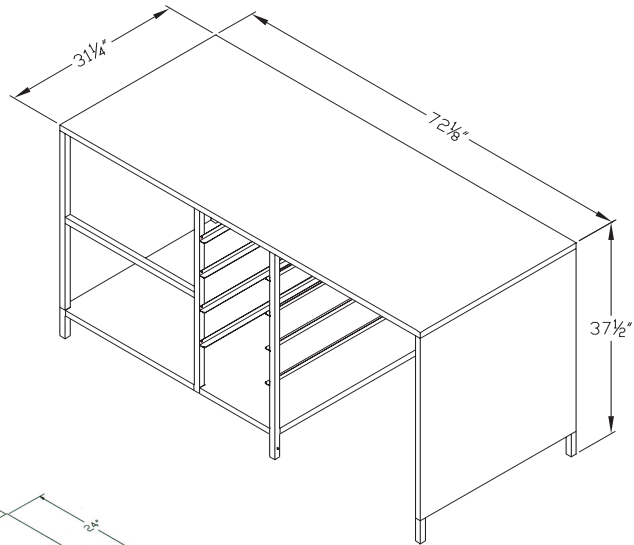
2855 Cranston Road, Beloit, WI 53511
(800) 365-8278 • (608) 365-0193
Fax (608) 363-7957 • www.broaster.com

An American Tradition Since 1954!

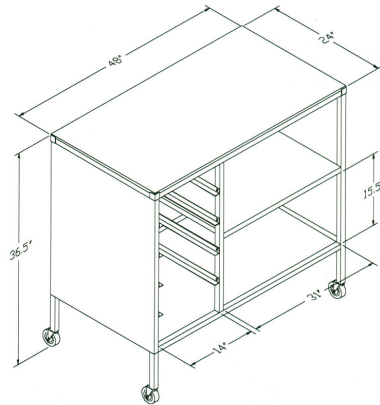
Utility Tables



Large Utility Table



VF-3 Work Table



Small Utility Table

SPECIFICATIONS

PART NUMBER	DESCRIPTION	OVERALL DIMENSIONS			SHIPPING WEIGHT
		W	D	H	
93169	Small Table	48"	24"	36-1/2"	140 lbs.
93170	Large Table	72"	24"	39-1/4"	190 lbs.
15850	VF-3 Work Table	72-1/8"	31-1/4"	37-1/2"	195 lbs.

The Broaster Company

2855 Cranston Road, Beloit, WI 53511

(800) 365-8278 • (608) 365-0193

Fax (608) 363-7957 • www.broaster.com

An American Tradition Since 1954!